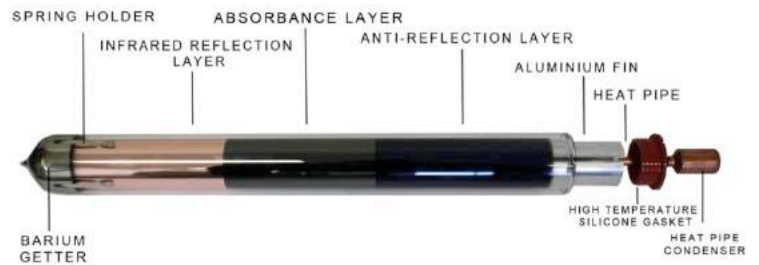
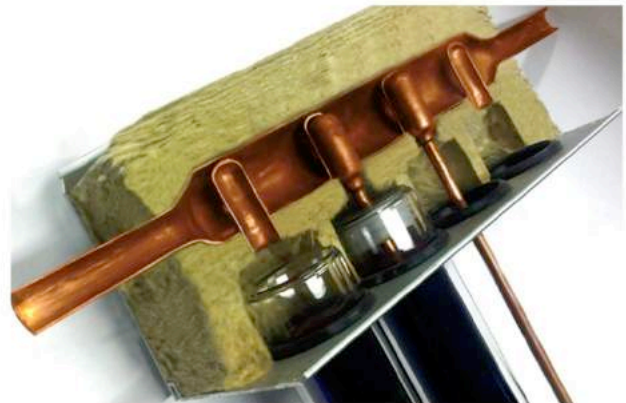
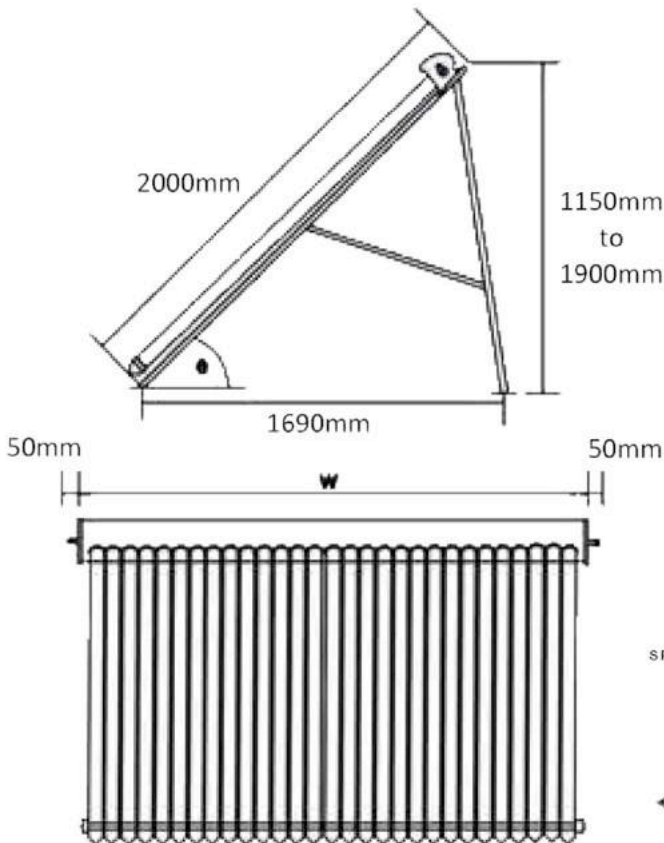


Collector Measurements



Australian owned
and designed

Collector Size:	20 tubes	30 tubes
Gross Weight (Empty):	78Kg	115 Kg
Absorber Area:	1.6m ²	2.4m ²
Aperture Area:	1.88m ²	2.82m ²
Gross Area:	2.96m ²	4.35m ²
Fluid Capacity:	1546ML	2338ML
Overall Width:	1560mm	2310mm
Overall Height:	155mm	155mm
Overall Length:	2000mm	2000mm



HOT WATER

AUSTRALIA'S HIGHEST PERFORMER

www.solarark.com.au
1300670966
info@solarark.com.au

VENTILATION POWER HOT WATER AIR CONDITIONING